

THE AQUA™ SERIES



AQUA™-WHT-15/30/60

AQUA™-WHT-15, AQUA™-WHT-30 and AQUA™-WHT-60 lamps are IP68 rated and are suitable for pool lighting.

AQUA™-WHT-15

AQUA™-WHT-30

AQUA™-WHT-60

AQUA™-WHT-15/30/60

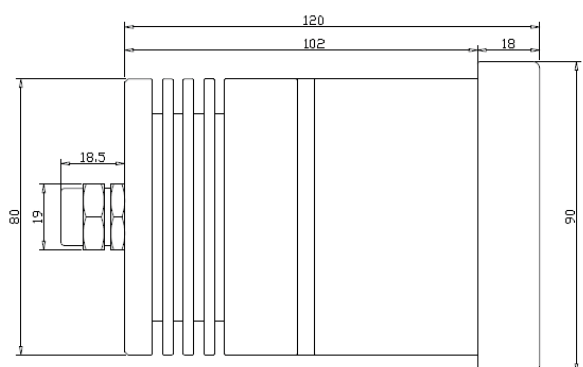
Features

- LED packaged lamp 15W/30W/60W x 1 (multiple chips)
- High luminous intensity output
- Min. 70% lumen maintenance after 35,000 hours
- Higher energy efficiency than incandescent or halogen lamps
- Cool beam (no UV or thermal radiation)

SPECIFICATIONS

Model:	AQUA-WHT-60	AQUA-WHT-30	AQUA-WHT-15
Electrical:			
Voltage:	24V	12V	12V
Color Temperature:	Warm White: 3300K ± 100K Daylight White: 5500K ± 250K		
Current:	2.4A	2.4A	1.2A
Power Consumption:	60W	30W	15W
Luminous Output (lm):	4,200~4,800 lm	2,100~2,400 lm	1,050~1,200 lm
Beam Angle:	60°		
Protection:	IP68		
Housing:			
Body:	Aluminum alloy		
Diffuser:	Tempered, cold, heat-resistant glass		
Finish:	Black Powder Coating		
Dimensions:	90 mm (Dia.) x 120 mm (H)	63.5 mm (Dia.) x 95 mm (H)	50 mm (Dia.) x 65 mm (H)
Weight:	1,517 g	627 g	236 g
Connecting Cable Length:	5 meters (15 ft.)		

DIMENSIONS



AQUA™-WHT-60

mm

Ver: 20100409



Taiwan Operations: Color Stars, Inc.

10F, No. 566 Jung Jeng Rd. Sindian City
Taipei County 231, Taiwan, R.O.C.
Tel: +886-2-8667-6600 Fax: +886-2-8667-1400
Email: sales@colorstars.com Website: www.colorstars.com

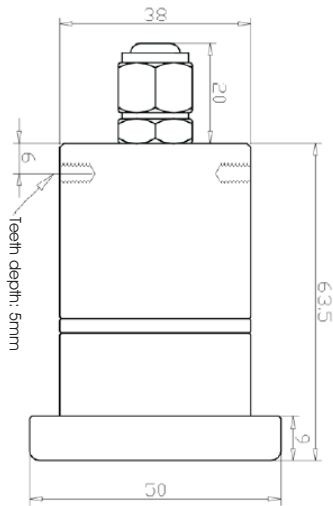
Headquarters: ColorStars Group

One Technology Dr., Suite F-213
Irvine, CA 92618 USA
Tel: + (949) 336-6161; Fax: + (949) 336-6165
Email: sales@colorstars.com; Website: www.colorstars.com

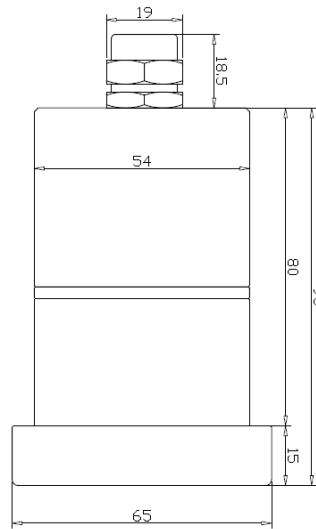
THE AQUA™ SERIES

AQUA™ -WHT-15/30/60

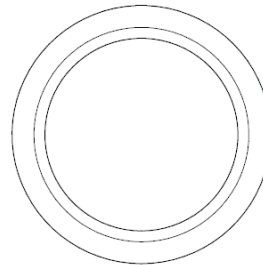
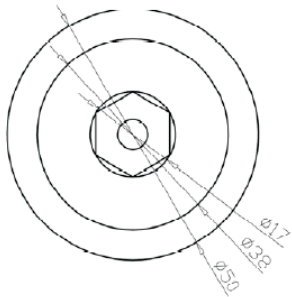
DIMENSIONS



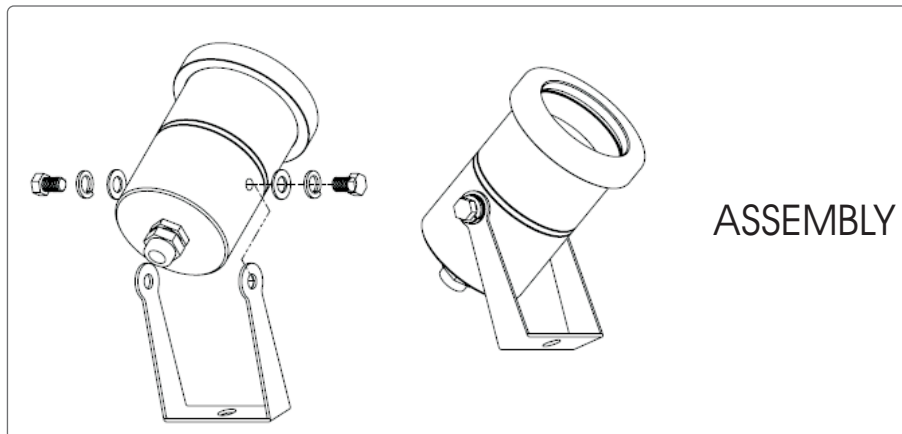
AQUA™ -WHT-15



AQUA™ -WHT-30



Unit: mm



Taiwan Operations:
Color Stars, Inc.
10F, No. 566 Jung Jeng Rd. Sindian City
Taipei County 231, Taiwan, R.O.C.
Tel: +886-2-8667-6600 Fax: +886-2-8667-1400
Email: sales@colorstars.com Website: www.colorstars.com

ColorStars Group

Headquarters:
ColorStars Group
One Technology Dr., Suite F-213
Irvine, CA 92618 USA
Tel: + (949) 336-6161; Fax: + (949) 336-6165
Email: sales@colorstars.com; Website: www.colorstars.com