

THE BOBBY™ SERIES

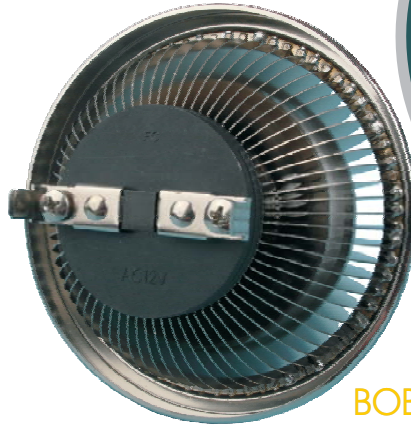
BOBBY™ -AR111-WHT LED Lamps with the patented Fin-Core™ aluminum housing

- LEDs: 6 x High Power LEDs
- CCT: Daylight White (5500~6000K)
Warm White (3000-3300k)
- Beam Angles: 25° / 40° / 60°

BOBBY™ SERIES

Features

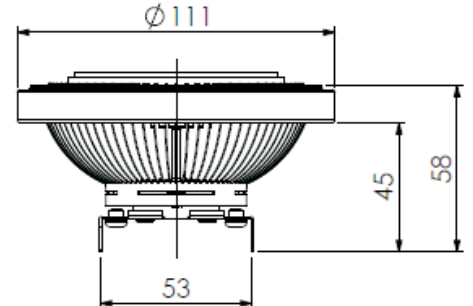
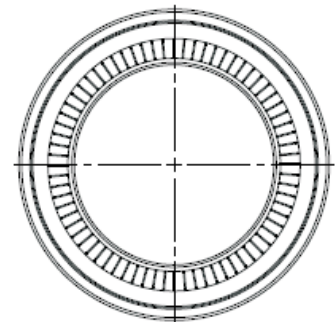
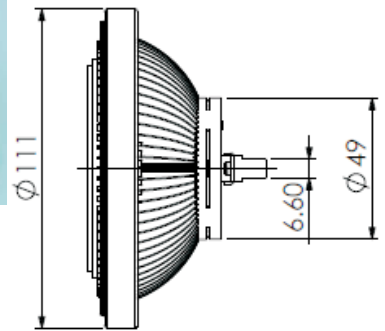
- High power LED retrofit lamps
- High luminous intensity output
- Min. 70% lumen maintenance after 35,000 hrs
- Higher energy efficiency than incandescent and halogen lamps
- Cool beam (no UV or thermal radiation)



BOBBY™ -AR111-WHT



Dimensions



Factory lobby with BOBBY™-AR111-WHT track lighting and BOBBY™-PAR30-WHT downlights.

ELECTRONIC SPECIFICATIONS

PARAMETERS	BOBBY-AR111-WHT
ELECTRICAL:	
LEDs Wattage	6 x High-Power LEDs < 12W
CONSTANT CURRENT DRIVER:	
Input Voltage Input Current	12VAC/DC 1Amp
OPTICAL:	
Lumen Output (Typ.) Operating Life Beam Angle (with lens)	WW: 600; WD: 660 > 35,000 hrs. 25° / 40° / 60°
ENVIRONMENT:	
Operation Temperature Storage Temperature Operation Humidity Housing	-20 ~ 50°C -40 ~ 60°C 10 ~ 90% aluminum Fin-Core™

NOTE: Do not use in outdoor or wet/humid areas or in totally enclosed fixtures.

Ver: 20090601



Taiwan Operations:

Color Stars, Inc.
10F, No. 566 Jung Jeng Rd. Sindian City
Taipei County 231, Taiwan, R.O.C.
Tel: +886-2-8667-6600 Fax: +886-2-8667-1400
Email: sales@colorstars.com Website: www.colorstars.com

Headquarters:

ColorStars Group
One Technology Dr., Suite F-213
Irvine, CA 92618 USA
Tel: +(949) 336-6161; Fax: +(949) 336-6165
Email: sales@colorstars.com; Website: www.colorstars.com