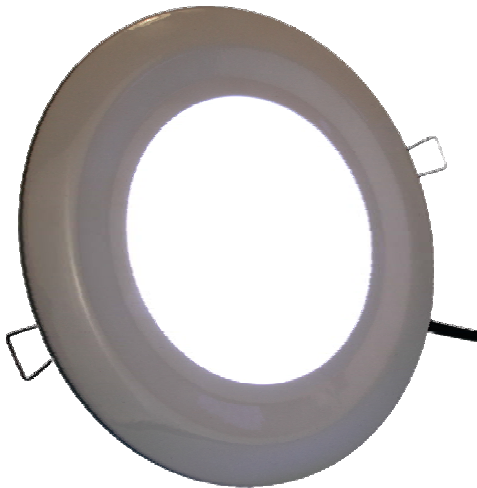


THE R4 SERIES

R4-DL6-WHT Downlight Series



R4-DL6-WHT-Downlight

R4-DL6-WHT DOWNLIGHT SERIES

Features

- Lightweight and thin (requiring 10cm of ceiling space)
- Single light source (no dark spot).
- Can replace a 60W incandescent lamp with up to 80% less power.
- Suitable for a wide range of lighting applications: auditoriums, convention centers, hotels, offices, residences, restaurants, etc.

Optional: Dimmable models available with 0~100% dimming



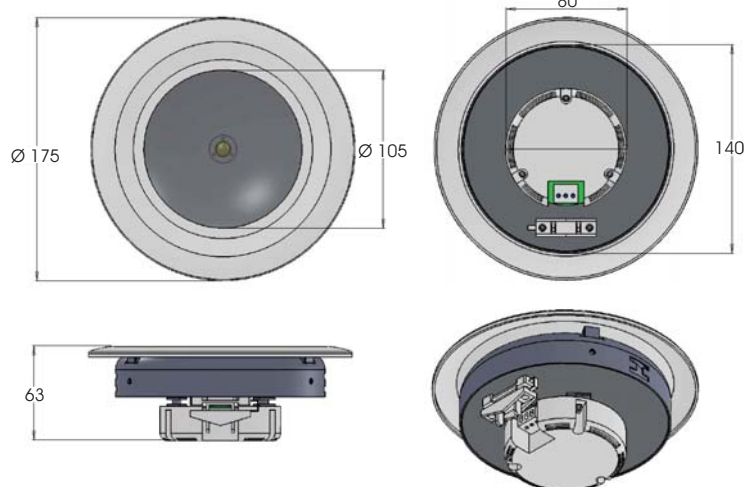
Patents Pending

ELECTRONIC SPECIFICATIONS

PARAMETERS	R4-DL6-WHT
ELECTRICAL:	
Input Voltage	100~240 Vac
Input Current	< 120 mA
Power Consumption	< 12W ±10%
OPTICAL:	
Operating Life	70% lumen maintenance after 35,000 hours
Beam Angle	150°
ENVIRONMENT:	
Operation Temperature	-20 ~ 50°C
Storage Temperature	-40 ~ 60°C
Dimensions	67 (H) x Ø175mm
Installation diameter	Ø150mm
Suggested Height	3~4 meters (9~12 ft.)

DIMENSION DRAWINGS

Unit: mm



Model	Lumen Output (lm)	Efficacy	Color Temperature
R4-DL6-WHT-W	600 lm ±10%	50 lm/W	2700~3300k
R4-DL6-WHT-D	660 lm ±10%	55 lm/W	5300~7000k

Ver: 20110321



Taiwan Operations:

Color Stars, Inc.

10F, No. 566 Jung Jeng Rd. Sindian City
Taipei County 231, Taiwan, R.O.C.

Tel: +886-2-8667-6600 Fax: +886-2-8667-1400

Email: sales@colorstars.com Website: www.colorstars.com

Headquarters:

ColorStars Group

One Technology Dr., Suite F-213
Irvine, CA 92618 USA

Tel: +(949) 336-6161; Fax: +(949) 336-6165

Email: sales@colorstars.com; Website: www.colorstars.com