

# THE R4 SERIES



R4-E14-WHT

## R4-E14-WHT 6W LED Lamps

R4-E14-WHT 6 watt LED lamps, with 4 chips and an E14 base, feature a new heatsink that allows for higher lumen output than previous lamps. Lumen output is now up to 350 lumens  $\pm 10\%$  for daylight white and up to 320 lumens  $\pm 10\%$  for warm white.

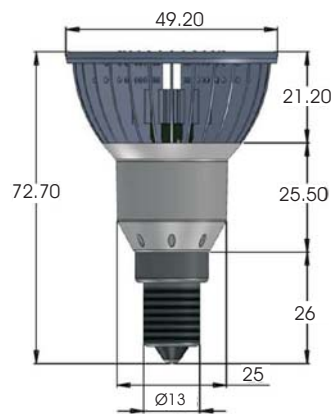
### R4-E14-WHT

#### Features

- High power 6W LED with 4 chips.
- New heatsink allowing higher luminous intensity output.
- Min. 70% lumen maintenance after 35,000 hours
- Higher energy efficiency than incandescent and halogen lamps.
- Cool beam (no UV or thermal radiation).

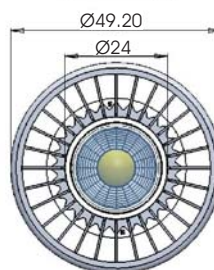
#### ELECTRONIC SPECIFICATIONS

PARAMETERS	R4-E14-WHT
<b>ELECTRICAL:</b>	
Power Supply Voltage (Typ.)	100~240Vac
Power Supply Current	<60mA
Power Consumption	< 6W
<b>OPTICAL:</b>	
Operating Life	>35,000 hrs.
Beam Angles	30°, 45°, 50°, 55°
<b>ENVIRONMENT:</b>	
Operation Temperature	-20~50°C
Storage Temperature	-40~60°C
Operation Humidity	10~90%



#### DIMENSIONS DIAGRAM

Unit: mm



Model	Lumen Output (lm)	Color Temperature	Beam Angle
R4-E14-WHT-W-50	245 lm $\pm 10\%$	3000k $\pm 200k$	50°
R4-E14-WHT-W-L-55	235 lm $\pm 10\%$		55°
R4-E14-WHT-W-30	320 lm $\pm 10\%$	2700k $\pm 200k$	30°
R4-E14-WHT-W-45	300 lm $\pm 10\%$		45°
R4-E14-WHT-D-50	260 lm $\pm 10\%$	5500k $\pm 200k$	50°
R4-E14-WHT-D-L-55	245 lm $\pm 10\%$		55°
R4-E14-WHT-D-30	350 lm $\pm 10\%$		30°
R4-E14-WHT-D-45	330 lm $\pm 10\%$		45°

NOTE: Do not use in outdoor or wet/humid areas or in totally enclosed fixtures.

REV: 20100621



#### Taiwan Operations:

#### Color Stars, Inc.

10F, No. 566 Jung Jeng Rd. Sindian City  
Taipei County 231, Taiwan, R.O.C.

Tel: +886-2-8667-6600 Fax: +886-2-8667-1400

Email: sales@colorstars.com Website: www.colorstars.com

#### Headquarters:

#### ColorStars Group

One Technology Dr., Suite F-213  
Irvine, CA 92618 USA

Tel: + (949) 336-6161; Fax: + (949) 336-6165

Email: sales@colorstars.com; Website: www.colorstars.com