

# THE TRISTAR® SERIES

**NEW!**  
Dimmable  
with linear AC  
transformers



R4-MR16-WHT

## R4-MR16-WHT 6W LED Lamps

R4-MR16-WHT 6 watt LED lamps, with 4 chips and a GU5.3 base, feature a new heatsink that allows for higher lumen output than previous lamps. Lumen output is now 330~350 lumens for daylight white and 300~320 lumens for warm white. The lamps are dimmable with linear AC transformers.

### R4-MR16-WHT

#### Features

- High power 6W LED with 4 chips.
- New heatsink allowing higher luminous intensity output.
- Min. 70% lumen maintenance after 35,000 hours
- Higher energy efficiency than incandescent and halogen lamps.
- Cool beam (no UV or thermal radiation).

#### ELECTRONIC SPECIFICATIONS

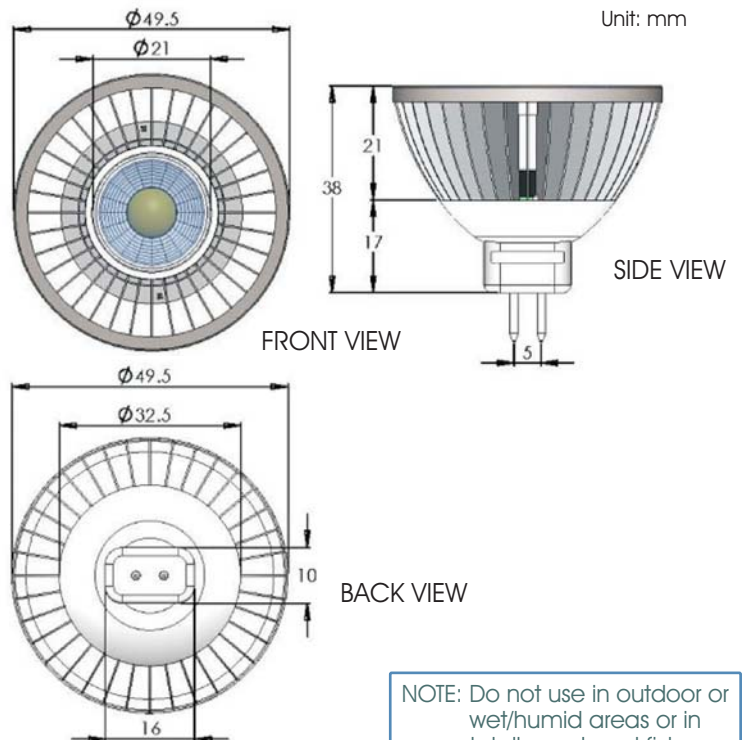
PARAMETERS	R4-MR16-WHT
<b>ELECTRICAL:</b>	
Power Supply Voltage (Typ.)	12~18 Vac/12~24Vdc
Power Supply Current	<500mA
Power Consumption	< 6W
<b>OPTICAL:</b>	
Operating Life	>35,000 hrs.
Beam Angles:	30° and 45°
<b>ENVIRONMENT:</b>	
Operation Temperature	-20~50°C
Storage Temperature	-40~60°C
Operation Humidity	10~90%

Model	Lumen Output (lm)	Color Temperature
R4-MR16-WHT-W-30	320 lm ± 10%	3000k ± 200k
R4-MR16-WHT-W-45	300 lm ± 10%	3000k ± 200k
R4-MR16-WHT-D-30	350 lm ± 10%	5500k ± 200k
R4-MR16-WHT-D-45	330 lm ± 10%	5500k ± 200k

Note: 12~18Vac or 12~24Vdc constant voltage power supplies are strongly recommended. Compatibility of the LED lamps with 12VAC electronic transformers cannot be guaranteed.

REV: 20100308

#### DIMENSIONS DIAGRAMS



NOTE: Do not use in outdoor or wet/humid areas or in totally enclosed fixtures.

**ColorStars Group**

#### Taiwan Operations:

#### Color Stars, Inc.

10F, No. 566 Jung Jeng Rd. Sindian City  
Taipei County 231, Taiwan, R.O.C.

Tel: +886-2-8667-6600 Fax: +886-2-8667-1400

Email: sales@colorstars.com Website: www.colorstars.com

#### Headquarters:

#### ColorStars Group

One Technology Dr., Suite F-213  
Irvine, CA 92618 USA

Tel: + (949) 336-6161; Fax: + (949) 336-6165

Email: sales@colorstars.com; Website: www.colorstars.com